



AL-KO ENDURO



THE NEW OFF-ROAD SINGLE-AXLE CHASSIS & CENTRE SECTION SOLUTION

AL-KO Enduro X stands for maximum performance and true off-road capability – for professionals, adventurers and manufacturers who demand more.

YOUR ADVANTAGES AT A GLANCE

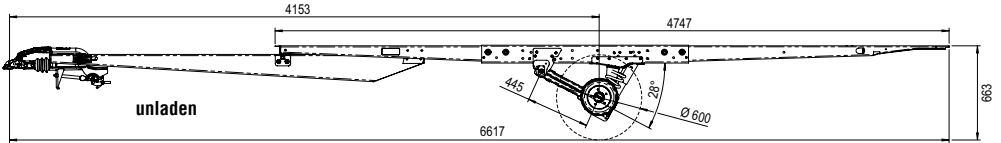
- | **Genuine off-road capability** – high ground clearance & independent wheel suspension with coil spring
- | **Quick installation** – pre-assembled centre section saves time and money
- | **Maximum driving stability** – even on the most challenging terrain
- | **Individually adjustable** – toe and camber settings for optimum dynamics
- | **Flexibility** – available in four weight classes (1,500 – 2,000 kg)
- | **Complete solutions** – also available as an off-road chassis with hitch, drawbar and overrun device



Website:

WHY THE ENDURO X?

The world away from tarmacked roads presents extreme challenges. AL-KO Enduro X was developed specifically to meet them – robust, reliable, and customisable.



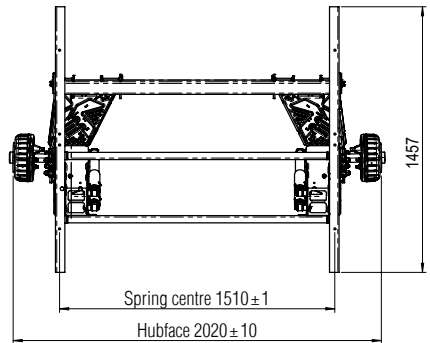
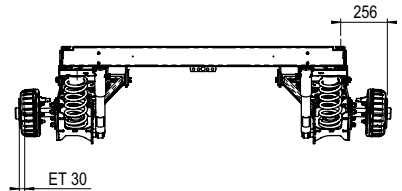
DEVELOPED FOR EXTREME CONDITIONS

Originally designed for the Australian outback, AL-KO Enduro X has been specially adapted to European requirements:

- | High-performance shock absorbers for maximum control
- | Lightweight but extremely durable construction
- | Proven reliability even under constant load

TYPICAL APPLICATIONS

- | Off-road campers and outdoor enthusiasts
- | Construction & emergency vehicles
- | Emergency services, military & public authorities
- | Motorhome & caravan manufacturers
- | Wholesalers for chassis components



INVEST IN THE FUTURE OF OFF-ROAD CHASSIS

Contact us for your individual quote: info@alko-tech.com

Version	Weight class	Item no.
Enduro X Center Section	1,500 kg	1733868
Enduro X Center Section	1,700 kg	1733869
Enduro X Center Section	1,800 kg	1733870
Enduro X Center Section	2,000 kg	1733871
Enduro X Chassis	1,800 kg*	1761853

*Additional weight classes (1,500 kg / 1,700 kg / 2,000 kg) available on request