

**AL-KO**

QUALITY FOR LIFE

Member of **DEXKO**  
GLOBAL

# PREMIUM ACCESSORIES FOR CARAVANS

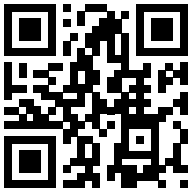


# ON THE ROAD WITH **AL-KO AND E&P**

## SAFE, COMFORTABLE, UNIQUE

If you love freedom on four wheels and exploring new destinations, our brands stand for the highest quality, innovation and reliability. AL-KO and E&P Hydraulics offer sophisticated solutions that make every journey safer, more comfortable and truly unforgettable. Put your trust in premium accessories that are perfectly suited to your caravan.

**AL-KO**  
QUALITY FOR LIFE



### THE BASIS FOR **SAFETY AND DRIVING PLEASURE**

AL-KO is much more than just a name – it is a promise to all camping enthusiasts to ensure maximum safety and driving pleasure with lightweight chassis components, precise suspension components and individually tailored accessories.

**AL-KO provides a solid base to make sure your travels become a relaxing adventure.**

**EP**  
&  
HYDRAULICS  
by **AL-KO**



### **STABILITY AND COMFORT** AT THE TOUCH OF A BUTTON

E&P Hydraulics represents innovative hydraulic solutions that reliably balance your motorhome – with outstanding performance that's built to last. The high-precision technology adapts to your needs.

**It turns almost any leisure vehicle into a safe home on wheels.**



# CONTENTS

## SUPPORT SYSTEMS

E&P LevelC.....	04 – 05
AL-KO UP4.....	06 – 07

## MANOEUVRING SYSTEMS

MAMMUT.....	08 – 09
RANGER.....	10 – 11

## ANTI-THEFT PROTECTION

PROSAFE.....	12 – 13
SAFETY locks.....	14
Anti-theft devices.....	15

## DRIVING SAFETY

ATC – AL-KO Trailer Control.....	16
AL-KO original components.....	17
AKS™ 3004.....	18
AAA Premium Brake.....	19

## JOCKEY WHEELS

AL-KO premium jockey wheel.....	20
Winterhoff jockey wheels.....	21

<b>PAYLOAD INCREASES</b> .....	22 – 23
--------------------------------	---------



# LevelC



## MAXIMUM FREEDOM FOR YOUR CARAVAN

### Lightness and comfort combined. Simple, quick levelling.

The entire hydraulic LevelC System weighs only around 20 kg more than mechanical crank supports. Controlling it is child's play. At the touch of a button, the caravan is fully automatically aligned and levelled in no time. The system consists of six supports. Two supports are located on the axle, and four corner steadies are placed at each corner of the caravan.

**Experience maximum freedom with your caravan!**



### SIMPLE RETROFITTING

The LevelC System for caravans can be retrofitted on practically all existing single-axle and tandem-axle chassis.

### FULLY AUTOMATIC ALIGNMENT IN UNDER **TWO MINUTES**

- | Easy control at the touch of a button with the control panel or optionally via touchpad
- | Individual levelling of the supports is possible
- | Optional emergency hand pump (to retract the supports if necessary)

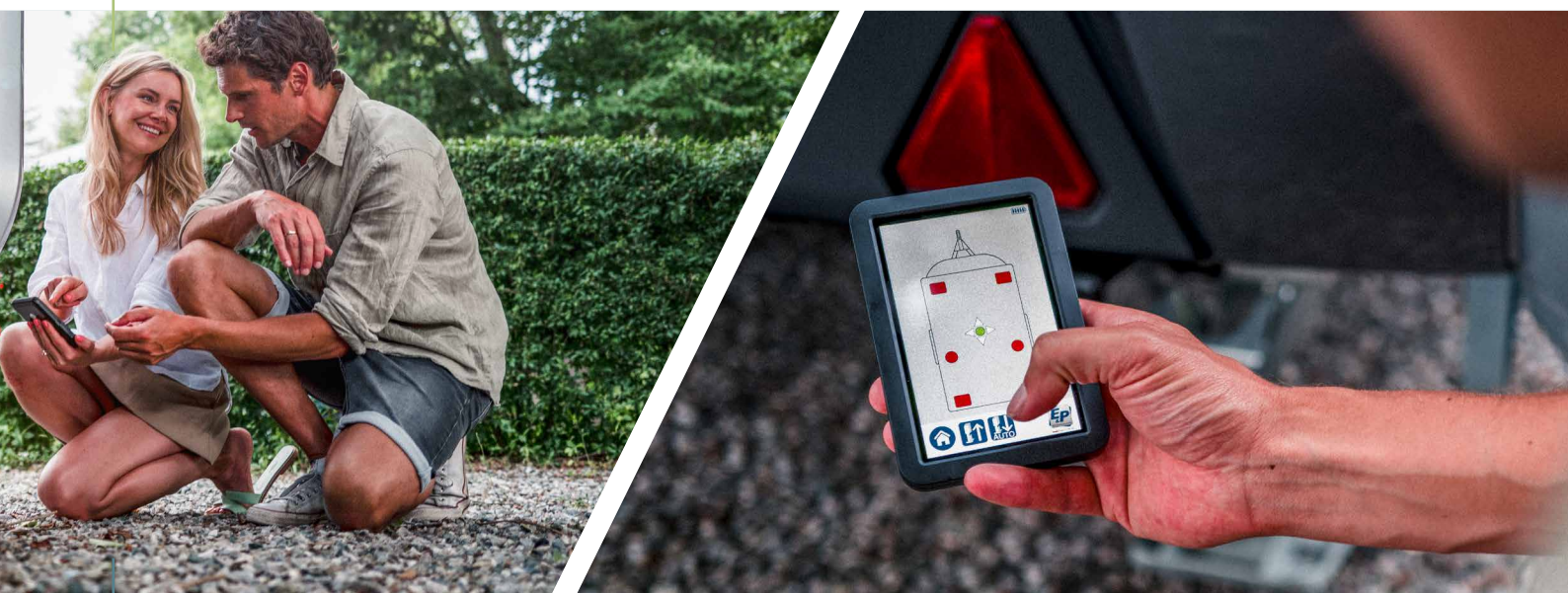


## COMFORT AND LIGHTNESS COMBINED

- | Thanks to the use of lightweight materials, the LevelC System weighs only approx. 20 kg more than mechanical crank supports
- | Ideal combination of light weight with maximum stability
- | This enables more payload

## AT A GLANCE THE ADVANTAGES

- | Horizontal in a few minutes
- | Fully hydraulic
- | Extremely light
- | Stable and secure stand thanks to the AL-KO Big Foot steady legs
- | Immediately ready for use
- | For single and tandem-axle caravans up to 3.5 tonnes gross weight



## SYSTEM WITH ADDITIONAL BENEFITS PROTECTED AGAINST THEFT

At the same time, the caravan can no longer be moved, making it theft-proof when parked in unsupervised areas.

## SCOPE OF DELIVERY

- | 4 x hydraulic AL-KO Big Foot supports
- | 2 x hydraulic axle supports
- | 1x control panel
- | 1 x hydraulic assembly
- | Oil tank, hydraulic lines, electronic controller and control panel

# AL-KO UP4

## SUPPORTS FOR SAFE PARKING

### Treat yourself to the convenience of electrically operated supports

The UP4 electronic support system for caravans is the solution to a tedious problem familiar to all caravan owners. And the best of all, the UP4 can be retrofitted on your AL-KO chassis at any time.

All 4 supports can be extended and precisely adjusted at the touch of a button with the help of the high-quality electronic drive. The system is suitable for caravans up to 2.5 t, and metal parts are hot-dip galvanised for long-term corrosion protection. The electric drive is also protected by a plastic cover.

The UP4 also offers integrated anti-theft protection. The special spindle end on the supports can only be operated with the corresponding special adapter.

### 1 ONE STEP FASTER

No matter how fast you can crank, the UP4 electronic support system does it faster. And more conveniently.

### 2 ONE STEP MORE COMFORTABLE

Lower and adjust the legs simply by remote control. Spares your back. And your nerves.

### 3 ONE STEP MORE STABLE

The UP4 lets you compensate for uneven ground electronically, and it comes with Big Foot™ included. For secure positioning and greater stability whatever the ground.

### 4 ONE STEP MORE INTELLIGENT

Combine the UP4 with the RANGER: Elegant parking and manoeuvring in future with just one remote control.





Website



Product video



## AT A GLANCE ADVANTAGES

- | Hot-dip galvanised, corrosion-protected metal parts
- | Plastic cover to protect the electric drive
- | The Big foot™ steady legs from AL-KO are already mounted
- | Built-in anti-theft lock
- | Ideal for use with the AL-KO RANGER manoeuvring system – manoeuvring and the lowering and raising of the supports goes hand-in-hand with just one remote control



Technical data		
Power supply		12 V DC
Average current consumption		6 amps
Maximum electricity consumption		24 amps
Remote control transmitter frequency		868 MHz
Weight		40 kg (without battery)
Caravan min. permitted gross weight		800 kg
Caravan max. permitted gross weight		2,500 kg
Support power source (battery)		12 V, 20 Ah (min.)
Power source remote control (battery)		PP3 9V
Designation	Additional weight kg	Item no.
<b>UP4</b>	<b>Approx. 17.5 kg</b>	<b>1731376</b>

# MAMMUT



## MANOEUVRING SYSTEM WITH GREATER PRECISION

### EFFORTLESS MANOEUVRING WITH MAXIMUM GROUND CLEARANCE

With the multi-award-winning, fully automatic AL-KO MAMMUT manoeuvring system, you can move and control your caravan or trailer effortlessly, even on your own. The tightest spaces, obstacles up to four centimetres high, and gradients of up to 28 percent pose no problem.

The MAMMUT electric manoeuvring system offers infinitely variable acceleration. Your electronic controls are perfectly integrated in the robust aluminium drive, which protects them against damage and moisture (IP65). The optimised housing has further improved heat dissipation in comparison to the previous model. Longer manoeuvres are therefore possible even at high temperatures and loads, thanks to the extended power-on time.



### OPTIMAL GRIP

Two motors are integrated into every drive unit: one for the positioning drive and one for the wheel drive. One push of the button on the remote control is all it takes for the sturdy sandblasted drive rollers mounted in double bearings to press against the tyres. The permanent electronic control of the contact pressure guarantees optimum grip under all conditions. The second motor in the drive housing is responsible for the wheel drive.



360°  
turns



Soft start  
Soft stop



Obstacles  
up to 4 cm



Gradients  
up to 28%  
(single axle)



Infinitely  
variable  
control







Website



Product video



## YOUR ADVANTAGE

- | Excellent integration into the chassis
- | Most precise manoeuvring system on the market
- | Smooth manoeuvring without jerking
- | Use up to a gross weight of 3.5 tonnes
- | Exact positioning, even when coupling and uncoupling in the tightest of spaces
- | Excellent performance with proven reliability
- | The electronic engagement always ensures optimal contact pressure on the wheel.
- | The manoeuvring system overcomes obstacles up to 4 cm as well as gradients of up to 28% (single-axle trailers) or 15% (two-axle trailers).
- | Immediate stop on inclines: Simply release the joystick and the trailer brakes to a halt immediately.
- | Completely sealed, splash-proof drive (IP 65)
- | 5-year warranty: as per AL-KO warranty conditions



Control panel with battery (caravan / remote control) and overload display

Adjustable speed and direction control via joystick

Remove MAMMUT drive system from the wheel

Engage MAMMUT drive system at the wheel

## FINGERTIP MANOEUVRING

Only the AL-KO MAMMUT offers a caravan manoeuvring system with joystick control. Unlike a button control, this allows you to steer, accelerate and brake smoothly with one hand.

## PLAYING IT SAFE

The system requires authorisation to prevent accidental operation. The remote control is simply held against the sensor on the drawbar to activate the system.

Safety authorisation

On/Off



More ground clearance and simple plug-and-play installation on AL-KO CHASSIS with 'M' embossing (single axle from model year 2010, tandem from model year 2015).

The MAMMUT's sturdy aluminium housing is splash-proof (IP65) and guarantees reliable function at all times even under adverse conditions.

Powerful, robust, compact: Powerful electric motors in each unit drive the caravan wheels.



# RANGER



## THE CLEVER MANOEUVRING SYSTEM

### AL-KO QUALITY AND DESIGN AT AN AFFORDABLE PRICE

The AL-KO RANGER manoeuvring system lets you control your caravan with millimetre precision and zero effort. You can manoeuvre the caravan to your desired location even in the tightest of spaces and on steep surfaces using the practical remote control. Equipped with the RANGER manoeuvring system, the caravan can be practically rotated 360 degrees around its own axis.

This powerful entry-level model is ideal both for single-axle caravans up to 1.8 tonnes as well as for tandem chassis up to 2.5 tonnes.



### OUR TIP:

RANGER and UP4 are unbeatable as a package because both systems can be operated with just one remote control!



360°  
turns



Soft start  
Soft stop



Obstacles  
up to 2 cm



Gradients  
up to 18%  
(single axle)





## YOUR ADVANTAGE

- | AL-KO quality and design
- | On inclines of up to 18% (long gradient), over 18% (short gradient, e.g. drive-on ramps)
- | Perfect and tested AL-KO CHASSIS connection from Europe's chassis market leader
- | Soft start and soft stop
- | Ergonomic remote control with lanyard
- | Suitable for almost any caravan up to 1.8 t (single axle) or 2.5 t (tandem)
- | Protected mechanical system
- | Worldwide service network
- | 5-year warranty (as per AL-KO warranty conditions)



## COMPARISON OF MANOEUVRING SYSTEMS

RANGER	MAMMUT
Manual control	Electric control
Button remote control	Joystick remote control
Underneath connection	M-connection / underneath connection
Plastic housing	Aluminium housing (IP65)
Electronics in caravan (storage space)	Electronics in drive
Aluminium rollers on both sides	Aluminium rollers on both sides
5-year warranty	5-year warranty
Caravan gross weight (single axle trailer / tandem): 1.8 t / 2.5 t	Caravan gross weight (single axle trailer / tandem): 2.5 t / 3.0 t
Maximum climbing power up to 18 %	Maximum climbing power up to 28 %

# PROSAFE

## THE INNOVATIVE WHEEL CLAW

### AL-KO PROSAFE – ANTI-THEFT PROTECTION FOR CARAVANS

Whether at the campsite, on the road or parked up at home: it is reassuring to know that your caravan is safe and secured. The AL-KO PROSAFE security lock helps prevent quick theft attempts. Unlike other AL-KO security locks, the wheel clamp attaches directly to the wheel, effectively preventing caravan theft by immobilising it.

#### Sophisticated safety concept

No angle grinders, no drilling and no picking tools: Thieves don't stand a chance against the AL-KO PROSAFE anti-theft device's solid multi-layer construction and drill-resistant lock cylinder. The wheel clamp impresses not only with its technology but also with its design: Painted in a striking warning colour, the wheel clamp acts as a deterrent to thieves.



#### It is suitable for all standard rim models.

As versatile anti-theft protection, this exceptional product can be fitted quickly and easily to all standard steel and aluminium rims with diameters from 13 to 17 inches.

#### Easy to use

You can install the AL-KO PROSAFE yourself in just a few simple steps. It comes with scratch and contact protection for the rim so it stays undamaged during installation. If anti-theft protection is not required, the wheel clamp can be stored in the robust storage case with practical features.





## SOLID AND ROBUST STORAGE CASE

Ergonomic, comfortable handle

Practical, integrated document compartment

Durable locking element

Sustainable thanks to recycled plastic

Optimally coordinated hard foam inlay



Explanation video



## ASSEMBLY

For initial assembly, a special wheel bolt is screwed into a bolt hole in the rim and the distance is adjusted using the adjustment bolt supplied. Then simply push the locking rod through the rim, attach the wheel claw and lock the cylinder lock – and your caravan is secured.

## SCOPE OF DELIVERY

- | AL-KO PROSAFE Receiver
- | Locking rod Ø 20 mm
- | Adjustment bolt
- | Offset screwdriver SW4
- | Offset screwdriver SW8
- | 1x wheel bolt M12 tapered
- | 1x wheel bolt M12 tapered
- | Bit insert
- | Grip stopper
- | 2 keys
- | AL-KO PROSAFE information sign
- | Storage case
- | Installation instructions

## AT A GLANCE

- | Secure against quick break-in attempts
- | Unique, solid multi-layer construction
- | Special lock with anti-drill protection
- | Conspicuous colour-scheme as a deterrent
- | Scratch and contact protection for wheel rims
- | Fits standard aluminium and steel wheel rims
- | Suitable for wheel sizes 13 – 17 inches
- | Easy to mount in just a few steps
- | Weight: 5.3 kg
- | Width: 150 mm
- | Height: 54 mm
- | Length: 284 mm

# ANTI-THEFT PROTECTION

## SAFETY SAFETY LOCKS

### THE EFFECTIVE DETERRENT AGAINST THEFT

The AL-KO safety locks make it trickier for thieves to uncouple the caravan. The device can be mounted rather easily. The security lock does not need to be removed for journeys. Our Safety locks are the ideal anti-theft device for any caravan. Our three security levels: Compact, Plus and Premium meet a wide range of security needs.

The AL-KO Safety anti-theft device is available specifically for the AK 161 / 270. This allows caravan owners to drive in accordance with their safety requirements. What's more, AL-KO safety locks also feature an attractive design. They form an elegant unit with the hitch and are difficult to spot.



### SAFETY PREMIUM

Safety Premium also meets the highest international safety standards such as the criteria for the "Sold Secure Gold Standard" (UK), "SBSC tested" (Sweden) and "SCM tested" (the Netherlands).

Sturdy steel construction with powder-coated housing and a solid galvanised bolt (free of chromium (VI)).



### SAFETY PLUS

With additional drill protection! Thanks to especially high-strength steel, additional reinforcements and the lock with drill protection, the Plus version offers even greater anti-theft protection even in unsafe areas. The red colour also indicates that this caravan is perfectly secured.



### SAFETY COMPACT

The tried-and-tested solution offers protection both on the road and when parked. This ensures that the caravan remains securely coupled even during breaks.



## FOR EVEN MORE **SAFETY**



### Easy to use, 2-part mechanical immobiliser

The Safety Compact for Premium corner steadies (from year of manufacture 2006) prevents the steady legs from being cranked up. This secures the caravan into position. Simply turn the supports down, insert the safety lock and push in the lock. Now you can spend a nice, relaxing day at the beach or in the city. Ensures additional security during longer periods when the caravan is not being moved, e.g. over the winter months.



### Safety Ball

The Safety Ball supplements the AL-KO anti-theft devices on the towbar in stationary operation. The hard plastic safety catch drops into the coupling heads when uncoupled and prevents the ball head engaging, thus also preventing unauthorised coupling.

## WINTERHOFF ANTI-THEFT DEVICES



Winterhoff anti-theft devices protect your caravan against unauthorised access: Regardless of whether your caravan is hitched or decoupled, our anti-theft devices are your reliable choice.

[www.winterhoff.de](http://www.winterhoff.de)



**ROBSTOP**  
WS 3000 PLUS  
WS 3000

# DRIVING SAFETY

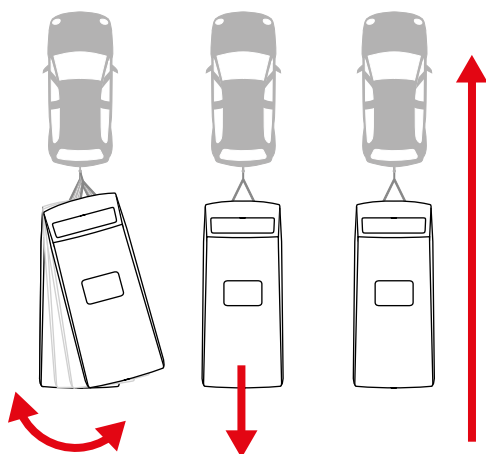
## ATC AL-KO TRAILER CONTROL

### THE INNOVATIVE ANTI-SNAKING SYSTEM

The tried and tested anti-snaking system from AL-KO appears in a new design and offers better responsiveness. The continuous signal evaluation as well as "attention mode", which the system switches to in the case of an imminent danger, allows the ATC to respond faster than ever. The new ATC therefore provides even better protection against dangerous swaying.

**The emergency system reacts automatically when the vehicle combination's swaying exceeds limit values.**

- | Sensors react even to slight lateral accelerations.
- | The caravan immediately brakes automatically.
- | Braking automatically puts the caravan back on track, i.e. there is little risk of a rear-end collision due to sudden, sharp braking, and an overtaking manoeuvre is not affected.



The caravan's driving response is continuously monitored by the ATC. Sensors detect dangerous lateral movements directly on the caravan axle, before any ESP system for trailers installed in the car is even able to sense the pendulum movement. The caravan will immediately – without any action on the part of the driver – brake gently and return to a stable driving condition.



A clearly visible green **LED** indicates that the emergency system is fully functional.







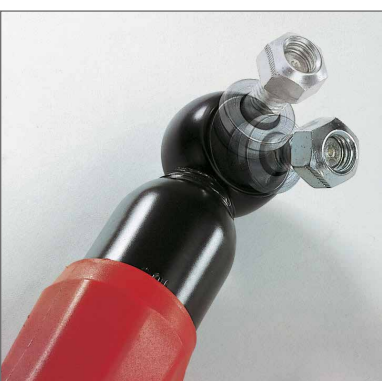
# AL-KO ORIGINAL COMPONENTS

**Greater safety for driving and braking. During servicing, always insist on original AL-KO components.  
As a manufacturer of chassis, shock absorbers and Bowden cables, we know what really matters.**



## Improved efficiency

With the original AL-KO Longlife Bowden cables, the brakes respond with more sensitivity and less friction and the Bowden cables last longer. Just like the original AL-KO brake pads that are perfectly customised to the brakes. In short: longer service life and more protection, even for long holiday trips!



## Octagon shock absorber

Optimal damping thanks to precise tuning. AL-KO octagon shock absorbers have overload protection and are characterised by high-quality seals and a special oil. They are precisely optimised for a clearly defined weight range and significantly improve the caravan's driving characteristics. Trailer oscillation is reduced significantly.



## Soft-Ball

The soft rubber blend protects vehicles against scratches, shins against injuries and clothing from dirt. Available in a variety of colours.

# DRIVING SAFETY

## AKS™ 3004 ANTI-SNAKING SYSTEM ATC

### FOUR FRICTION LININGS FOR BETTER LANE HANDLING

Snaking and pitching movements of the caravan are effectively suppressed before they become serious. As the only anti-sway coupling on the market, the AKS™ 3004 has four friction linings. That's why it is used by most caravan manufacturers ex works.

Closing the stabilisation handle presses the four friction linings against the car's tow ball from all sides. This four-fold increased friction suppresses snaking and pitching movements. The vehicle combination comes to rest significantly quicker even in an emergency situation.



### VISIBLE CONTROL

- 1 Wear indicator for friction pads
- 2 When the green cylinder is visible, the AKS™ 3004 is correctly placed
- 3 Wear indicator for hitch



### WINTERHOFF WS 3000

Specially developed friction elements are pressed axially under high spring pressure against the tow ball of the car, giving the vehicle combination enormous stability. As a result, the critical speed at which a vehicle combination becomes unstable and starts to sway is permanently increased by up to 30%. Your safety advantage!

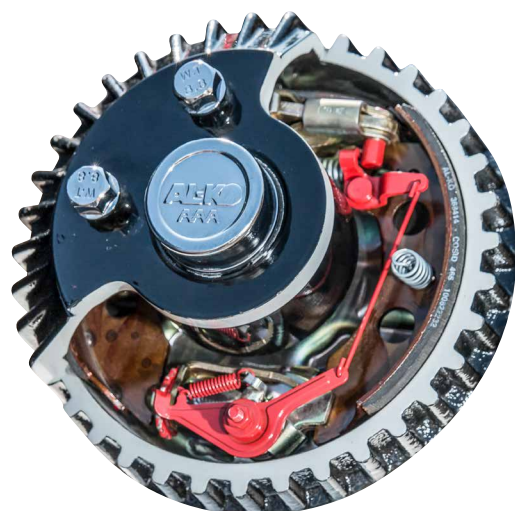
[www.winterhoff.de](http://www.winterhoff.de)



# AAA PREMIUM BRAKE

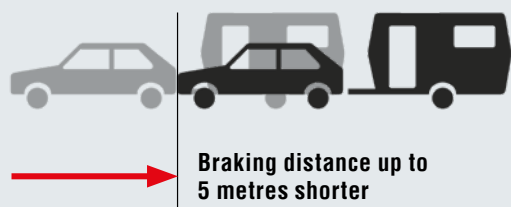
## THE HIGH-PERFORMANCE BRAKE WITH AUTOMATIC ADJUSTMENT

- | The proven wheel brake with its far above-average braking values is supplemented by the automatic adjustment function
- | When driving in reverse, the adjustment is deactivated to prevent the brake from blocking
- | Suitable for wheel brake types 2051 and 2361, and therefore for most caravans with AL-KO axles
- | Quick and easy changeover by pre-mounted AL-KO screw system in AL-KO axles



## YOUR ADVANTAGE

- | **Greater driving safety** thanks to an up to 5 m shorter braking distance
- | **Greater driving comfort** through smooth braking without jolting when setting off
- | **Lower maintenance costs** due to extended service intervals and dispensing with the first workshop visit after 1,000 km
- | **No renewed presentation to TÜV** required following installation
- | **Tip:** Change over to the AAA Premium Brake the next time you change your brake pads, if not before



## SHORTER BRAKING DISTANCE, MORE SAFETY

Every metre deducted from the braking distance is a “bonus” where safety is concerned. The AAA Premium Brake automatically readjusts the brake as soon as there is too much play. Optimally set brakes ensure the best possible performance and the braking distance is thus shortened.

# PARKING

## AL-KO JOCKEY WHEEL PREMIUM



### THE STABLE MANOEUVRING SYSTEM

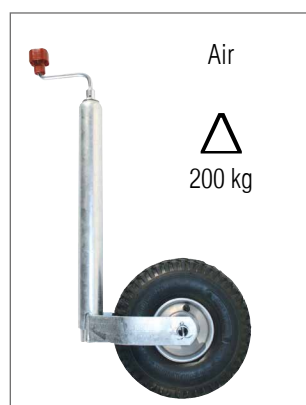
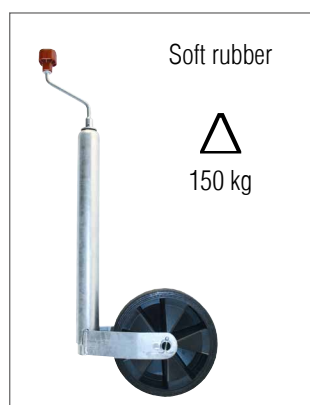
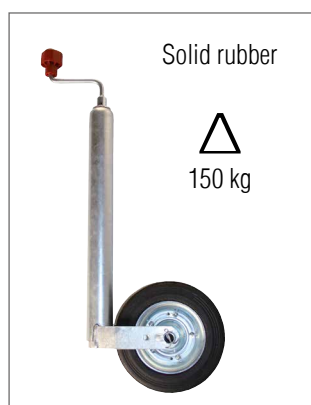
#### Particularly recommended for manoeuvring systems

The special spherical wheel allows easier manoeuvring on any surface. Extremely stable design:

- | Load capacity up to 300 kg
- | Runs smoothly over uneven ground
- | Integrated wheel load indicator
- | Easy to manoeuvre
- | Easy-running, detachable crank

#### 'Plus' product line with thrust block and hot-dip galvanisation

The products from the PLUS category impress with high-quality workmanship, reliability, high-quality materials and long service life. Their high stability and clever technical details meet the increased demands of day-to-day work with trailers. All products have an extended range of functions and are very user-friendly with an attractive design.



### MANOEUVRING HANDLE

The smart complement to the jockey wheel. Uncoupled caravans have never been easier to move. The manoeuvring handle also prevents loss of the jockey wheel when towing in case a locking bar has not been tightened enough. Can be easily retrofitted to all jockey wheels with an outer tube diameter of 48 mm.



# WINTERHOFF

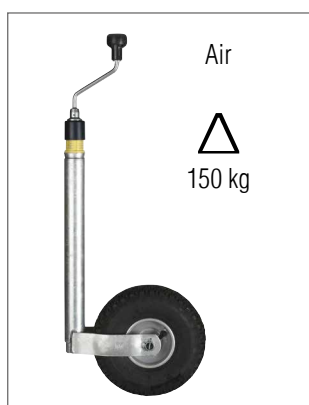
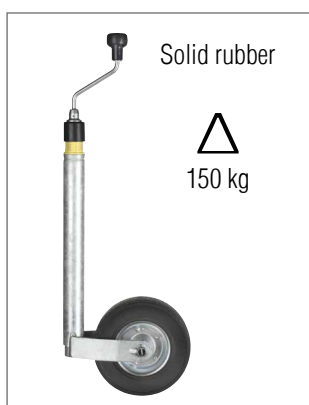
QUALITY TRAILER SYSTEMS



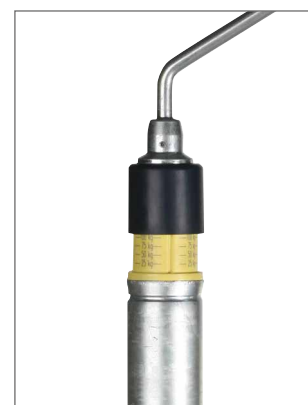
## THE RIGHT WHEEL FOR ALL APPLICATIONS

Winterhoff jockey wheels support you when coupling and decoupling the trailer as well as manoeuvring it. The majority of our jockey wheels are fitted with a thrust block, which enables easier operation. Depending on the model and product line chosen (BASIC or PLUS), the wheel – as long as it is not a rigid version – can be pivoted up by hand, foot or automatically, in order to prevent contact while driving. Thanks to an optionally integrated nose load scale, you can also check the nose load at the coupling point.

The stable and hot-dip galvanised models are the ideal solution for every application due to different types of tyres.



### Integrated load indicator



## SECURING SYSTEM

The Winterhoff BS-KLE 48 securing system secures your jockey wheel while driving.

# PAYLOAD INCREASES



## EXPERT PARTNER FOR YOUR PAYLOAD INCREASE

We have been a trusted chassis manufacturer and expert partner for increasing caravan payloads for over 25 years. We assess your caravan individually to determine the measures needed to achieve your required permissible gross weight.



## REASONS FOR A PAYLOAD INCREASE

**A higher permitted gross vehicle weight (GVW) offers many advantages on camping holidays:**

- | **Installation of additional equipment:**  
For example, satellite system, awning, air conditioning, manoeuvring or support system
- | **Change in family circumstances:**  
More people or four-legged companions are going on holiday.
- | **Dynamic driving safety buffer:**  
The chassis limits are being pushed.
- | **Higher payload and holiday comfort:**  
More luggage can be taken. You can easily determine this by subtracting the unladen weight from the gross weight.
- | **Easier police checks:**  
Avoid strict checks, even abroad.

## AN OVERVIEW OF THE DIFFERENT VARIANTS

The interaction of the components is crucial in determining the type of payload increase suitable for your specific vehicle.

- | **Weight plate upgrade:** Purely a payload increase on paper to increase the permissible gross weight without technical modifications. Acceptance by TÜV or DEKRA and subsequent registration in the registration papers.
- | **Replacement of suspension elements:** Standard rubber cords in the axles are removed and replaced with better performing axle rubbers.
- | **Replacement of other chassis components:** Depending on the initial situation, rebuild individual or several components such as axle, brakes, shock absorbers, overrun device, cross member or other frame parts.
- | **Replacement of the entire chassis:** Most comprehensive payload increase with the greatest possible weight increase.
- | In addition, it may be necessary to fit different tyres and/or rims so that not only the body but also the wheels can bear the new weight.



## THIS IS HOW A PAYLOAD INCREASE WORKS WITH US

1. **Finding out more:** You can find out more about the topic of payload increases in our blog or podcast.
2. **Complete the checklist:** Please complete the checklist with your caravan's details.
3. **Review and quote:** Our team of experts will assess the requirements and options for your caravan and provide you with a personalised quote.
4. **Apply for approval:** You must apply to the caravan manufacturer for approval of the planned payload increase.
5. **Clearance certificate and type plate:**  
The manufacturer will issue a clearance certificate and a new type plate for your vehicle.
6. **Place your order:** Once you have received the clearance certificate, place your order with us.
7. **Components and appointment:** We order the specific components for your caravan and arrange an appointment with you.
8. **Implementation:** Our team of experts carries out payload increase measures either at our Kötz facility or at one of our other customer centres.
9. **Vehicle inspection:** After the conversion work has been completed, your caravan will be inspected by the relevant vehicle inspection agency (e.g. TÜV or DEKRA).
10. **Weight specifications entry:** You then have the new weight specifications entered in the vehicle documents by the relevant registration office.
11. **Enjoy your holiday:** Start your next holiday feeling relaxed!

# AL-KO

QUALITY FOR LIFE

[www.alko-tech.com](http://www.alko-tech.com)

[www.ep-hydraulics.com](http://www.ep-hydraulics.com)



Member of **DEXKO**  
GLOBAL

Part No. 499945 – Subject to modifications in response to technical developments.  
No liability accepted for mistakes and printing errors. Issue 12/2025